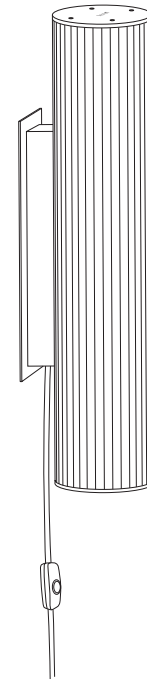


# VUELTA WALL LAMP

---

## ASSEMBLY MANUAL

fermliving.com



ferm  
L I V I N G

# GENERAL INSTRUCTIONS

Please read before installation

## WARNING:

The safety of this fitting can only be guaranteed if the following instructions are observed during both installation and use. Please retain these instructions safely after installation.

### Please observe the following guidelines:

- Ensure that the power supply has been switched off prior to installation or removal of the product.
- Never undertake an electrical installation without the proper knowledge or training. If not familiar with electrical wiring, contact a qualified electrician.
- The product may in no way be modified or tampered with. Any modification may compromise safety and make the product itself dangerous to use. ferm LIVING does not accept any responsibility for products that have been modified.
- The light source in this product cannot be replaced.
- This product is meant for indoor use only.
- This appliance should not be disposed in a domestic trash receptacle and should instead be recycled appropriately.

## CLEANING INSTRUCTIONS:

- Use only a soft cloth to clean the product. Dampen the cloth with water and soap or a mild cleanser if needed.

## MORE INFORMATION:

To access further information such as product overview and material descriptions, please visit our website at [www.fermliving.com](http://www.fermliving.com). If you have any questions or comments, please do not hesitate to contact us at [info@fermliving.com](mailto:info@fermliving.com).

## TECHNICAL SPECIFICATIONS

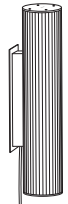
### VUELTA WALL 100

<b>Rated Power:</b>	30w
<b>Lumen output at maximum:</b>	2400lm
<b>CCT:</b>	3000k
<b>CRI:</b>	>90
<b>Rated Voltage:</b>	230V
<b>Frequency:</b>	50Hz
<b>Certification:</b>	CE/LVD/EMC/ROHS
<b>Gift box Dimension:</b>	1100x181x174mm
<b>Cable length:</b>	2,5m

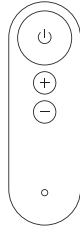
### VUELTA WALL 40

<b>Rated Power:</b>	20w
<b>Lumen output at maximum:</b>	1600lm
<b>CCT:</b>	3000k
<b>CRI:</b>	>90
<b>Rated Voltage:</b>	230V
<b>Frequency:</b>	50Hz
<b>Certification:</b>	CE/LVD/EMC/ROHS
<b>Gift box Dimension:</b>	500x181x174mm
<b>Cable length:</b>	2,5m

## BOX CONTENTS



1x  
Lamp



1x  
Remote control



2x  
Rawl plugs (Ø8mm)  
(not suitable for drywalls)

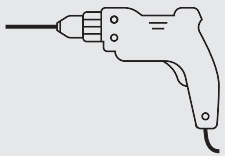


Screwdriver  
(Philips/Cross Slot)



2x  
Screws

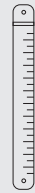
### NEEDED TOOLS



Electrical drill



Pencil



Ruler



Spirit level

## HOW TO USE THE REMOTE CONTROL

### 7.

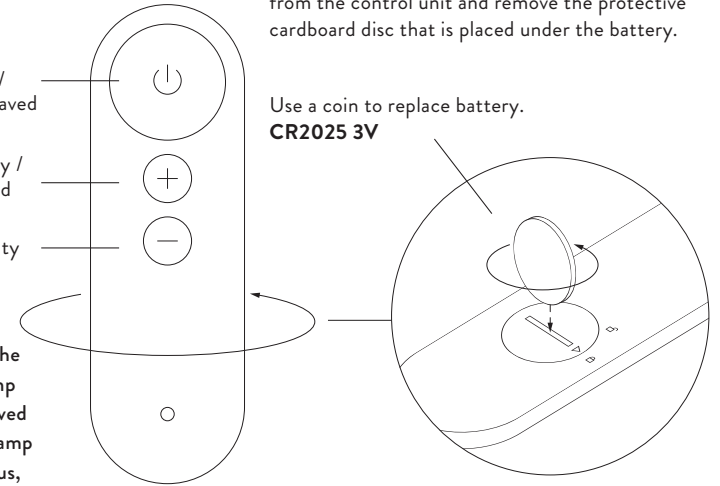
Before using the remote, please remove the battery from the control unit and remove the protective cardboard disc that is placed under the battery.

**On/Off.** Turns lamp on at maximum brightness / brightness level will be saved when turning off lamp

**+** Increase light intensity / Turn the light on at saved brightness level

**-** Decrease light intensity

**Please note:** If you use the wall switch to turn the lamp on and off, the lamp will return to the last saved brightness level. If the lamp is connected to a Dali bus, the remote is automatically deactivated.



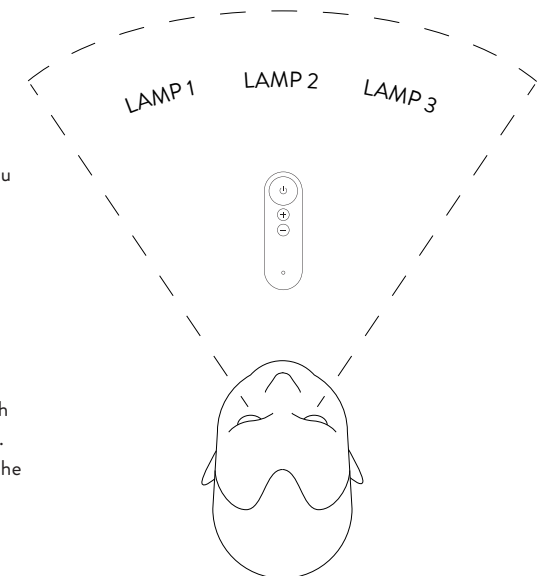
Use a coin to replace battery.  
**CR2025 3V**

## REMOTE CONTROL PAIRING

This pairing operation is not required unless you want to control multiple lamps (max 3 lamps) with the same remote control, or you need to reset your remote.

### How to Pair:

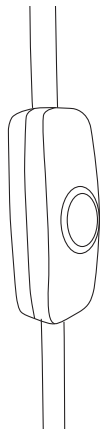
1. Turn off the lamp's power at its electrical power supply.
2. Turn it on again. In the first 10 seconds, push the following sequence of buttons: on/off, +, -. Once the pairing has been done successfully, the lamp will flicker 3 times.



TO GET THE BEST EXPERIENCE,  
CHOOSE BETWEEN STEP 6 AND 7

## DIMMER CONTROL

6

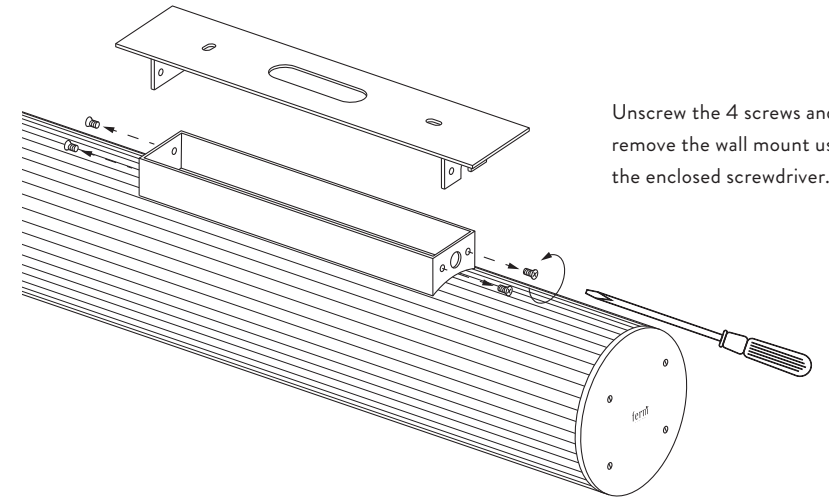


— Press for On/Off

— Press and hold to dim

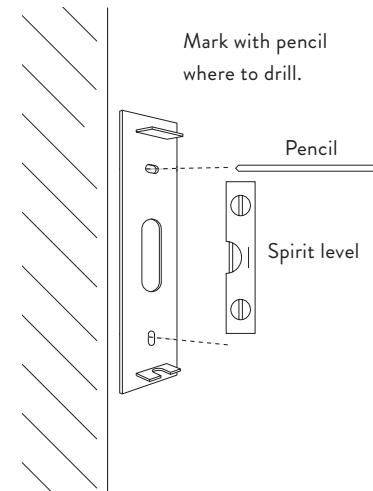
## ASSEMBLY PROCESS

1



Unscrew the 4 screws and  
remove the wall mount using  
the enclosed screwdriver.

2

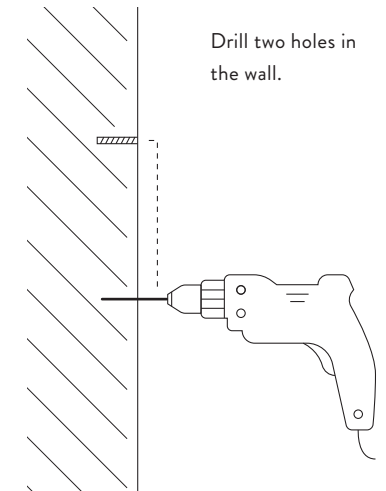


Mark with pencil  
where to drill.

Pencil

Spirit level

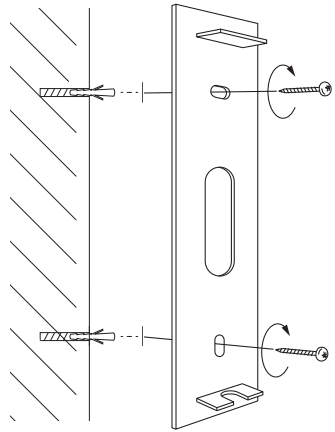
3



Drill two holes in  
the wall.

## ASSEMBLY PROCESS

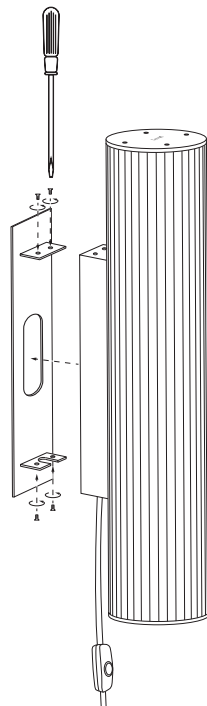
4



Attach the wall mount with the two screws and two rawl plugs (if applicable).

5a

PLUG



Push the lamp onto the wall bracket and mount the lamp to the wall bracket using the 4 set screws and enclosed screwdriver.

The lamp can now be plugged in.

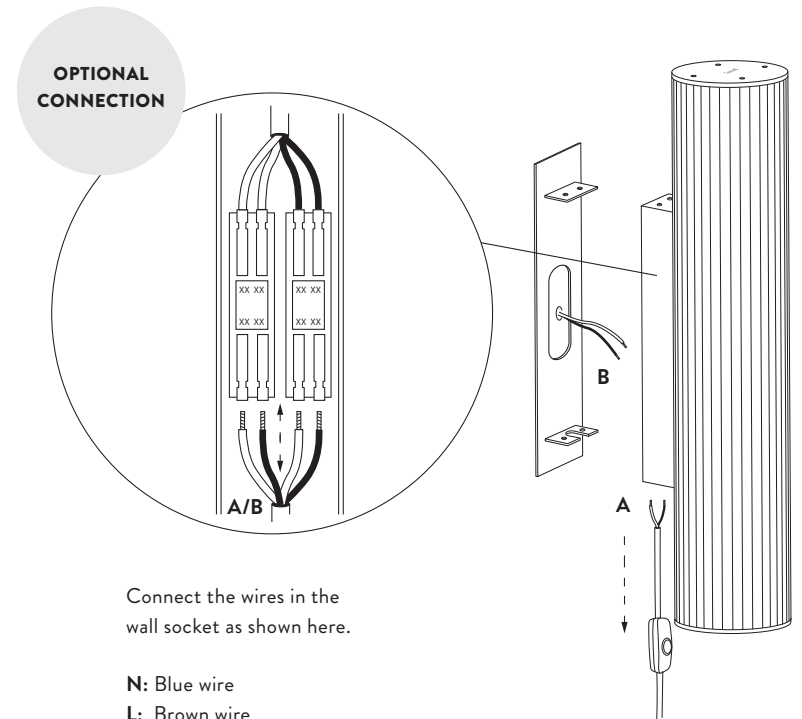
6

## HARDWIRE INSTALLATION

Turn your power off

5b

For hardwire installation, please make sure to follow the relevant law/legislation regarding electrical installation.



Connect the wires in the wall socket as shown here.

**N:** Blue wire  
**L:** Brown wire  
**Ground icon:** Green-yellow wire  
**Dimmer cable:** White

**A.** Remove the cord from the connector.

**B.** Connect the hardwire cord from the wall to the connector.

**Warning:** When choosing hard wire installation, the white dimmer cable must not be used.

7